

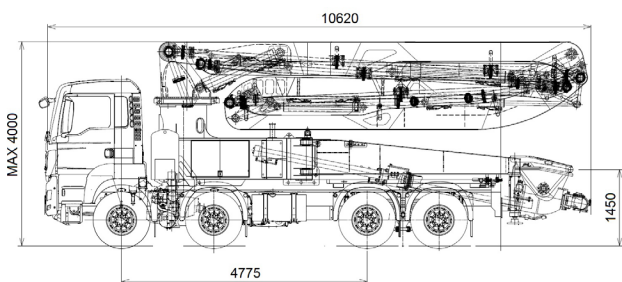
**RELIABLE**  
**EASY TO USE**  
**TOP VALUE FOR MONEY**

## TRUCK-MOUNTED CONCRETE BOOM PUMP

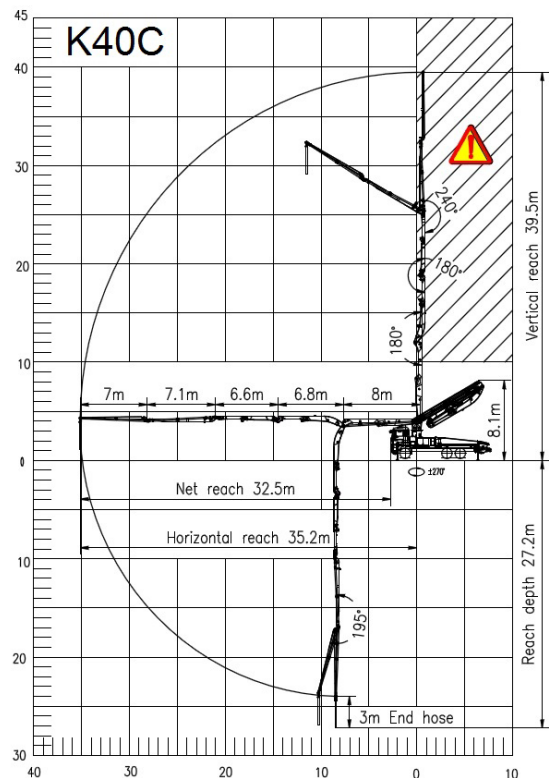
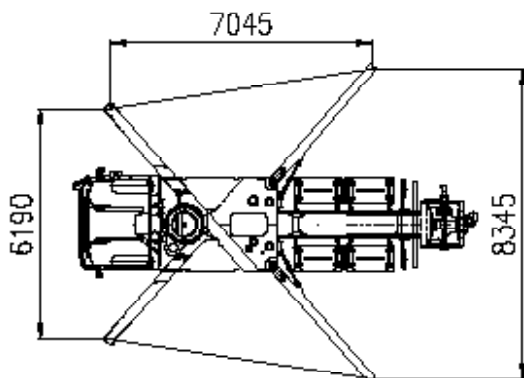
Placing boom	K40C
Pumping unit	PU1607
Driven by	Gear box
Chassis	4 axles



### Dimensions



Dimensions varying according to truck assembly



## TRUCK-MOUNTED CONCRETE BOOM PUMP

Placing boom	K40C
Pumping unit	PU1607
Driven by	Gear box
Chassis	4 axles

### Standard equipment

- Compact in design, 40m pump mounted on 4-axles truck.
- Efficient pump unit, ideal for long time use.
- Agile placing boom with 5 arms with unfolding height 8.1m only, which gives a wide work range.
- 2 Proportional radio controls with two speeds boom movement, automatic frequency scanner
- 20 m emergency cable to connect radio controls.
- Single thickness concrete pipes hardened
- Centralized lubrication system for pumping unit
- Hard carbide wear plate and cutting ring for PU pumping units
- Fiberglass hopper covering
- Low pressure water pump 20 Bar / 75 l/min
- One colour painting white RAL 9010
- 2 Use & Maintenance manuals
- Spare parts and service manual

### Control system

- Easytronic:
  - integrated color LCD counters
  - pumping unit management
  - diagnostic

### Main options

- LSC (Light Stability Control)

MANUFACTURING	CIFA HUNAN
TRUCK ASSEMBLY	CIFA ITALY
TESTING	CIFA ITALY
CE CERTIFICATION	CIFA ITALY
WARRANTY	CIFA ITALY

### Pumping unit technical data

Model	PU1607	
Maximum theoretical output	<i>m<sup>3</sup>/h</i>	160/100
Maximum pressure on concrete	<i>bar</i>	70/110
Conc. cylinders (diam. x stroke)	<i>mm</i>	230x2100
Concrete hopper capacity	<i>l</i>	550
Hydraulic circuit		Open

### Placing boom technical data

Model	40X-5ZR	
Pipeline diameter	<i>mm</i>	125
Maximum vertical reach	<i>m</i>	39,5
Maximum horizontal distance (from center of slewing axis)	<i>m</i>	35,2
Minimum unfolding height	<i>m</i>	8,1
Section numbers		5
1st section opening angle		90
2nd section opening angle		180
3rd section opening angle		180
4th section opening angle		240
5th section opening angle		195
Rotating angle		+/-270
End hose length	<i>m</i>	3

Technical data and characteristics subject to modifications without notice