

**RELIABLE  
EASY TO USE  
TOP VALUE FOR MONEY**

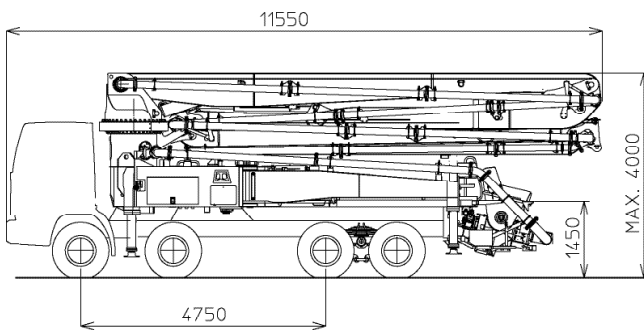
## TRUCK-MOUNTED CONCRETE BOOM PUMP

Placing boom  
Pumping unit  
Driven by  
Chassis

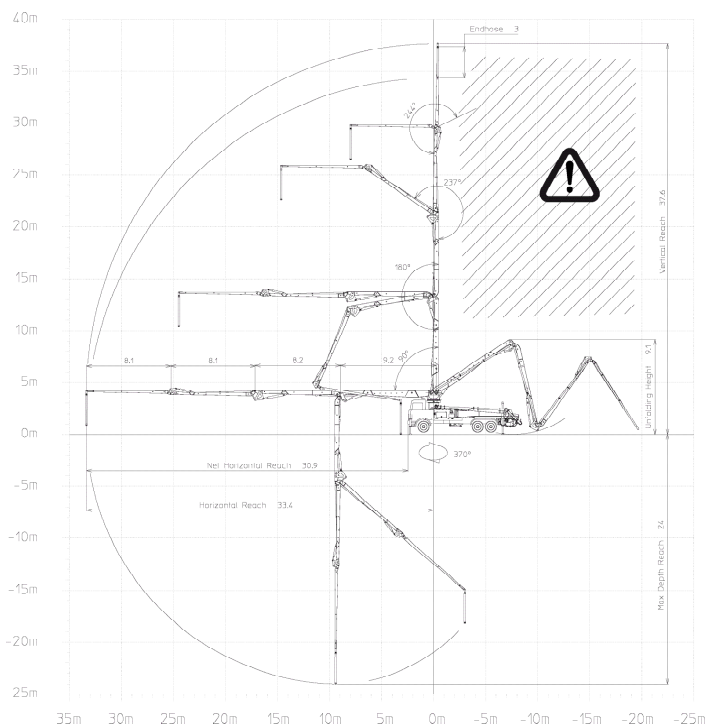
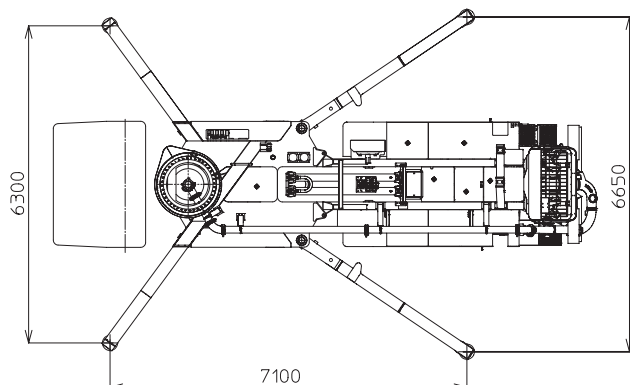
K38C  
PU1506  
Gear box  
4 axles



### Dimensions



Dimensions varying according to truck assembly



### Standard equipment

- Advantageous assembling on 4 axles chassis
- Self-supporting frame - torsion free FEM designed
- Placing boom B4Z 38/34, 4 sections, 125 mm pipeline diameter, "Z" folding system
- 2 Proportional radio controls with two speeds boom movement, automatic frequency scanner
- 20 m emergency cable to connect radio controls.
- Single thickness concrete pipes hardened
- Centralized lubrication system for pumping unit
- Hard carbide wear plate and cutting ring for PU pumping units
- Fiberglass hopper covering
- Low pressure water pump 20 Bar / 75 l/min
- One colour painting white RAL 9010
- 2 Use & Maintenance manuals
- Spare parts and service manual

### Control system

- Easytronic:
  - integrated color LCD counters
  - pumping unit management
  - diagnostic

### Main options

- LSC (Light Stability Control)

MANUFACTURING	CIFA HUNAN
TRUCK ASSEMBLY	CIFA ITALY
TESTING	CIFA ITALY
CE CERTIFICATION	CIFA ITALY
WARRANTY	CIFA ITALY

## TRUCK-MOUNTED CONCRETE BOOM PUMP

<b>Placing boom</b>	K38C
<b>Pumping unit</b>	PU1506
<b>Driven by</b>	Gear box
<b>Chassis</b>	4 axles

### Pumping unit technical data

Model		PU1506
Max. theoretical output	<i>m<sup>3</sup>/h</i>	150
Max. pressure on concrete	<i>bar</i>	53
Conc. cylinders (diam. x stroke)	<i>mm</i>	230x2100
Concrete hopper capacity	<i>l</i>	550
Hydraulic circuit		open

### Placing boom technical data

Model		B4Z 38/34
Pipeline diameter	<i>mm</i>	125
Max. vertical reach	<i>m</i>	37,6
Max. horizontal distance	<i>m</i>	33,4
Min. unfolding height	<i>m</i>	9,1
Section numbers		4
1st section opening angle		90°
2nd section opening angle		180°
3rd section opening angle		237°
4th section opening angle		244°
Rotating angle		370°
End hose length	<i>m</i>	4

*Technical data and characteristics subject to modifications without notice*